

FLOW TOTALISER TRANSMITTER WT-0900-FT1

PRODUCT HIGHLIGHTS

- Precise Flow Measurement: 1 Hz to 10 KHz Range, $\pm 0.01\%$ Accuracy
- Designed for Liquid Applications
- Totalises Accumulated Flow Volume
- Compatible with a Variety of Third-Party Turbine Meters*
- Captures Today's, Yesterday's, and Raw Totals, Instantaneous Rate
- Measures Volume in Barrels, Liters, Gallons, or Meters³
- Provides 2-Pin Pickup Coil Connector & 25mm Mating Union

WT SERIES FEATURES

- Local Display (Premium 32-Character LCD)
 - Read Process Data, Battery Voltage, RF Strength, and More
 - Configure Device On-Site Without Cables
 - Easy Network Connection Wizard
- Self-Contained, Battery-Powered
- 900 MHz / 2.4 GHz Option (Secure, ISM License-Free)
- Up to 2.3km Wireless RF Range with Clear Line of Sight
- Swappable "Puck" Design - Quick Maintenance Solution
- Serial Interface Also Available for Configuring Device via PC
- User-Friendly BreeZ® Configuration Software
- Factory Trade-In Program Available for Non-Local Display Transmitters
- Intrinsically Safe for Use in Hazardous Areas - Class I; Division 1 (Zone 0)

APPLICATIONS

- Oil & Gas, Pipeline, Petro-Chem, Water/Wastewater, Utilities, Irrigation Systems, Mining, SCADA Systems, 3A Sanitary, Food & Beverage, Pharmaceuticals, Biotechnology, and Much More



Measures Flow Rate/Totalises Volume	1Hz to 10KHz Frequency Range	Third-Party Sensor Compatible
Local LCD for Instant Read & Configuration	Cable-Free Configuration	Secure Local Access
Self-Contained Battery Powered	Includes 25mm Mating Union	Class I; Division 1 Intrinsically Safe

WIRELESS SENSOR NETWORK

- Reliable, Robust Wireless Performance
- Eliminates Costly Conduits and Wiring
- Monitor / Control Process Conditions 24/7
- Reduces Labour, Installation and Maintenance Costs
- Helps Meet Regulatory Requirements
- Industrial Strength Performance and Durability

TECHNICAL SPECIFICATIONS

HARDWARE FEATURES

Device Functionality	Flow Totaliser Wireless Transmitter
Embedded Controller	Ultra-Low Power RISC Microcontroller with Internal FLASH (Field Upgradeable)
User Interface	Standard RS232 Serial, LCD Puck Module
I/O Interface	1x High-Speed Pulse Counter Input: 1 Hz to 10 KHz Up to 10 K Cycles per Second
Input Voltage Range	15 mV to 3300 mV
Accuracy and Stability	Flow Rate Accurate to ± 0.01 % of Reading Excluding Turbine Meter and Magnetic Pickup
Power Source	Self-Contained, Internal 3.6 V Lithium Battery (Replaceable)
Internal Battery Life	Up to 5 Years (Based on Usage)
Local LCD Display	32-Character Display (16x2 Lines) with 4 Function Keys + Read Button
Instant Displayable Read	Current Flow Rate / Today's Totals / Yesterday's Totals / Battery Voltage / RF Status
Local Conguration	Cable-Free Device Conguration and Network Connection

WIRELESS COMMUNICATIONS

Type: 900 MHz	ISM Band, Frequency-Shift Keying (FSK) Frequency Hopping Spread Spectrum (FHSS)
Frequency	902 MHz to 928 MHz
Data Rate	9600 bps / 115.2 kbps
Output Power	10 mW
Receiving Sensitivity	-110 dBm @ 9600 bps or -100 dBm @ 115.2 kbps
Range	Up to 2.3 km with Clear Line of Sight
Type: 2.4 GHz	Optional Version Available, ISM Band, DSSS

CERTIFICATIONS & COMPLIANCE

EMC/EMI		FCC Part 15 (USA) IC ICES-003 (Canada)
Safety		Class I; Division 1, Groups A, B, C, D T3C Class II; Division 1 Groups E, F, G, T3C Class III T3C Class 1 Zone 0 AEx ia IIC T3 Ga Class 1 Zone 0 Ex ia IIC T3 Ga

MECHANICAL SPECIFICATIONS

Dimensions	134mm (W) x 338mm (H) x 108mm (D)
Package Dimensions	260mm (W) x 356mm (H) x 165mm (D)
Weight	Net: 2.3 kg Gross: 3.6 kg
Mounting Hardware	Direct Mount
Hardware Connection	25mm NPT Female, 25mm Mating Union to Flow Turbine Included
Casing Material	Type 4X Aluminum; IP66
Mating Assembly	Stainless Steel 316
Magnetic Pickup Coil Connection	2-Pin Circular Connector (Part # MS3106A-10SL-4S)

GENERAL SPECIFICATIONS

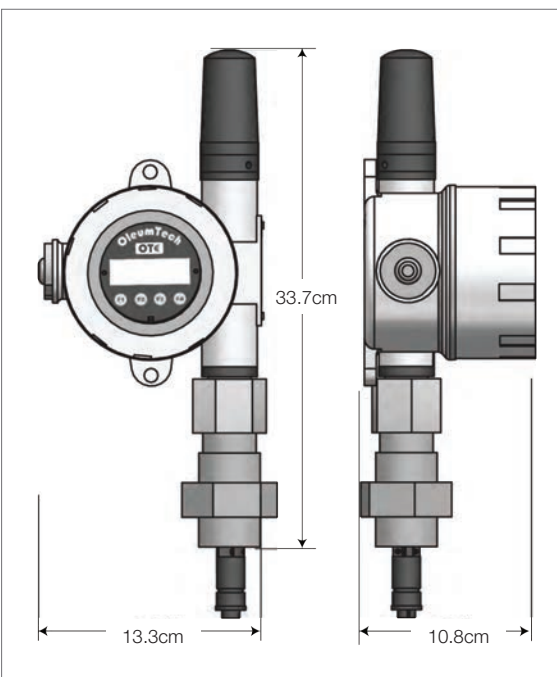
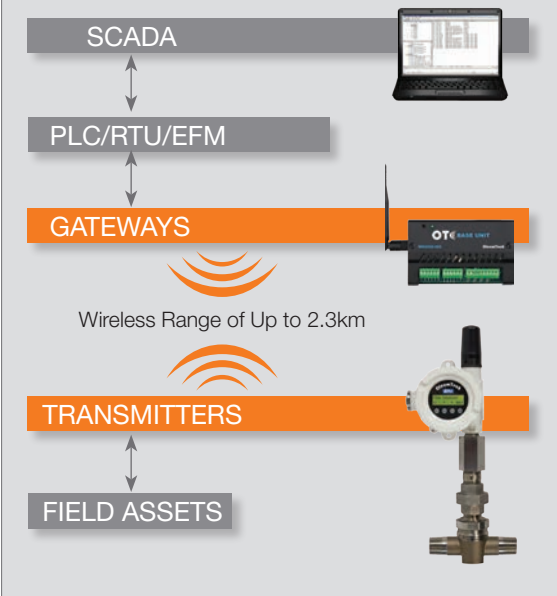
Operating Conditions	Ambient Temperature (Class I; Division 1): Transmitter -40 °C to 70 °C; LCD Screen -20 °C to 70 °C Ambient Temperature (Non-Hazardous Applications): Transmitter -40 °C to 85 °C LCD Screen -20 °C to 70 °C Humidity: 0 to 99 %, Non-Condensing
Warranty	2-Year Parts and Labour

ORDERING INFORMATION

Model Number(s)	900 MHz: WT-0900-FT1 / 2.4 GHz: WT-2400-FT1
Wirelessly Connects To	Gateway: Base Unit (WM2000-002) or DH2 (SR5000-DH2) 2.4 GHz Option Available



BASIC PROGRAMING



Automation Group

Sydney • Newcastle • Dubbo • Brisbane • Melbourne • Perth

P 1300 724 743 E sales@automationgroup.com.au W automationgroup.com.au