



## ANALOG/PRESSURE TRANSMITTER WT-0900-AD1

### PRODUCT HIGHLIGHTS

- 3x Analog Inputs (0-5 Volt, 24-bit ADC)  
Provides Ability to Calibrate Zero and Max Points
- 1x Discrete Input (For Dry Contact or Open-Drain Output/NPN Device)  
Normally Open or Normally Closed Input Function  
On/Off Status Reporting, Transition Count Reporting,  
On-Delay Exception Reporting
- Available with 15 to 15,000 PSI Pressure Sensor\*
- Utilised for Countless Number of Process Applications
- Terminal Block Makes Wiring Hassle-Free

### WT SERIES FEATURES

- Local Display (Premium 32-Character LCD)
  - Read Process Data, Battery Voltage, RF Strength, and More
  - Configure Device On-Site Without Cables
  - Easy Network Connection Wizard
- Self-Contained, Battery-Powered
- 900 MHz / 2.4 GHz Option (Secure, ISM License-Free)
- Up to 2.3km Wireless RF Range with Clear Line of Sight
- Swappable "Puck" Design - Quick Maintenance Solution
- Serial Interface Also Available for Configuring Device via PC
- User-Friendly BreeZ® Configuration Software
- Factory Trade-In Program Available for Non-Local Display Transmitters
- Intrinsically Safe for Use in Hazardous Areas - Class I; Division 1 (Zone 0)

### APPLICATIONS

- Oil & Gas, Pipeline, Petro-Chem, Water/Wastewater, Utilities,  
Irrigation Systems, Mining, SCADA Systems, 3A Sanitary,  
Food & Beverage, Pharmaceuticals, Biotechnology, and Much More



3 Analog Inputs 0.5V, 24-bit ADC	1 Discrete Input for On/Off, Open/Close	Normally Open or Closed D.I. Function
Third-Party Sensor Compatible	Local LCD for Instant Read & Configuration	Cable-Free Configuration Option
Secure Local Access	Self-Contained, Battery-Powered	Class I; Division 1 Intrinsically Safe

### WIRELESS SENSOR NETWORK

- Reliable, Robust Wireless Performance
- Eliminates Costly Conduits and Wiring
- Monitor / Control Process Conditions 24/7
- Reduces Labor, Installation and Maintenance Costs
- Helps Meet Regulatory Requirements
- Industrial Strength Performance and Durability

INDUSTRIAL WIRELESS AUTOMATION

# TECHNICAL SPECIFICATIONS



## HARDWARE FEATURES

Device Functionality	Analog/Discrete Input Wireless Transmitter
Embedded Controller	Ultra-Low Power RISC Microcontroller with Internal FLASH (Field Upgradeable)
User Interface	Standard RS232 Serial, LCD Puck Module
I/O Interface	3x Analog Inputs (0-5 Volt), 24-bit ADC 1x Discrete Input (For Dry Contact or Open-Drain Output/NPN Device)
Power Source	Self-Contained, Internal 3.6 V Lithium Battery (Replaceable)
Available Power	Supplies Sensor Power Up to 9.5 V
Sensor Power Up Delay	Approximately 600 ms
Internal Battery Life	Up to 10 Years, Based on Usage
Local LCD Display	32-Character Display (16x2 Lines) with 4 Function Keys + Read Button
Instant Displayable Read	Analog Input 1, 2, 3 / Discrete Input / Battery Voltage / RF Status
Local Conguration	Cable-Free RF Connection and Setting All Device Parameters

## WIRELESS COMMUNICATIONS

Type:900MHz	ISM Band, FSK (Frequency-Shift Keying), FHSS (Frequency Hopping Spread Spectrum)
Frequency	902 to 928 MHz
Data Rate	9600 bps / 115.2 kbps
Output Power	10 mW
Receiving Sensitivity	-110 dBm @ 9600 bps or -100 dBm @ 115.2 kbps
Range	Up to 2.3 km with Clear Line of Sight
Type: 2.4 GHz	Optional Version Available, ISM Band, DSSS

## CERTIFICATIONS & COMPLIANCE

EMC/EMI		FCC Part 15 (USA) IC ICES-003 (Canada)
Safety		Class I; Division 1, Groups A, B, C, D T3C
		Class II; Division 1 Groups E, F, G, T3C
		Class III T3C
		Class 1 Zone 0 AEx ia IIC T3 Ga Class 1 Zone 0 Ex ia IIC T3 Ga

## MECHANICAL SPECIFICATIONS

Dimensions	134mm (W) x 335mm (H) x 108mm (D)
Package Dimensions	260mm (W) x 356mm (H) x 165mm (D)
Weight	2.3 kg Gross: 3.6 kg
Mounting Hardware	Direct or Pipe Mount
Hardware Connection	2x 19mm NPT Female (Includes 1x 19mm to 12mm Reducer Bushing)
Casing Material	Type 4X Aluminum; IP66

## GENERAL SPECIFICATIONS

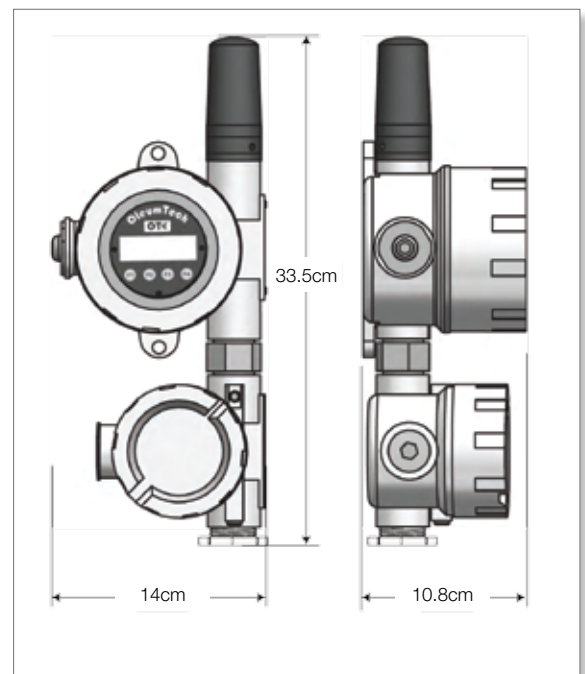
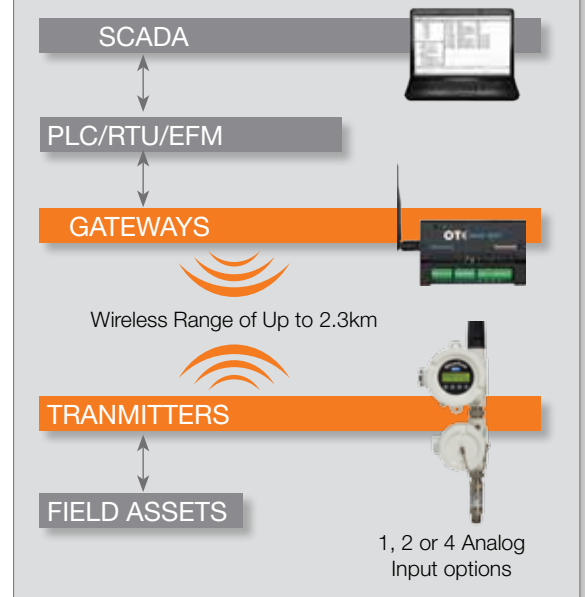
Operating Conditions	Ambient Temperature (Class I; Division 1): Transmitter -40 °C to 70 °C; LCD Screen -20 °C to 70 °C
	Ambient Temperature (Non-Hazardous Applications): Transmitter-40 °C to 85 °C ; LCD Screen -20 °C to 70 °C
	Humidity: 0 to 99 %, Non-Condensing
Warranty	2-Year Parts and Labour

## ORDERING INFORMATION

Model Number(s)	900 MHz: WT-0900-AD1 / 2.4 GHz: WT-2400-AD1
Wirelessly Connects To	Gateway: Base Unit (WM2000-002) or DH2 (SR5000-DH2) 2.4 GHz Option Available



## BASIC NETWORK DIAGRAM



## Automation Group

Sydney • Newcastle • Dubbo • Brisbane • Melbourne • Perth

P 1300 724 743 E sales@automationgroup.com.au W automationgroup.com.au