



## WIRELESS DIGITAL I/O MODULE WM5410-004



### PRODUCT HIGHLIGHTS

- High Performance Wireless Connectivity
- 6x Programmable Digital (Discrete) Channels
  - Supports Mix of Inputs and Outputs (Input, Counter, Output, or Pulse Output Option)
  - 30 VDC (Max) Input for All Channels
  - 1 A Sink Current for Open-Drain Outputs
  - Configurable Debounce Filter
- License-Free 2.4 GHz Band, Secure Data Transmission
- Up to 1.6 km (US) / 750 m (Int'l) with Clear Line of Sight
- 9-30 V Power Input
- Easy-to-Install, Configure and Use
- Scalable Solution
- Wirelessly Connects to a Wireless Gateway (Point-to-Point Only)
- User-Friendly BreeZ® Configuration Software

Wireless Connects to a Gateway	6 Digital Inputs or Outputs (Mixable)	Input, Counter, Output, or Pulse Output Modes
2.4GHz ISM License-Free Band	9-30 VDC Power Input	Easy-to-Configure BreeZ Software
Low Power Consumption	Low Profile Design w/DIN Rail Mount	Class I; Division 2

### WIRELESS SENSOR NETWORK

- Reliable, Robust Wireless Performance
- Eliminates Costly Conduits and Wiring
- Monitor / Control Process Conditions 24/7
- License-Free ISM Band, DSSS (Direct-Sequence Spread Spectrum)
- Reduces Labor, Installation and Maintenance Costs
- Helps Meet Regulatory Requirements
- Industrial Strength Performance & Durability

### APPLICATIONS

- Oil & Gas, Pipeline, Petro-Chem, Water/Wastewater, Utilities, Irrigation Systems, Mining SCADA Systems, 3A Sanitary, Pharmaceuticals, Biotechnology, and Much More



**INDUSTRIAL WIRELESS AUTOMATION**

# TECHNICAL SPECIFICATIONS

## HARDWARE FEATURES

Device Functionality	Wireless Digital Input / Output Module
Embedded Controller	32-Bit Low Power ARM7 Microcontroller with Internal FLASH (Field Upgradeable)
Configuration	Standard RS232 Serial (RJ-45)
I/O Interface	6 Programmable Digital (Discrete) Inputs and Outputs - Supports Mix of Inputs and Outputs - 30 VDC (Max) Input for All Channels - 1 A Sink Current for Open-Drain Outputs - Configurable Debounce Filter
Self-Diagnostics	Contains Comprehensive Self-Checking Software and Hardware for Continuous Monitoring of Operation

## WIRELESS COMMUNICATIONS

Type: 2.4 GHz	ISM Band, DSSS (Direct-Sequence Spread Spectrum)
Frequency	2.4 GHz: US and Int'l (International)
Data Rate	250 Kbps
Output Power	US: 10 to 18 dBm (In 2 dBm Increment) / Int'l: -3dBm, 2dBm, 8 dBm, 10 dBm
Receiving Sensitivity	-100 dBm @ 250 Kbps
Range	Up to 1.6 km (US) / 750 m (Int'l) with Clear Line of Sight
Security Protocol	802.15.4
Antenna Connector	MMCX

## CERTIFICATIONS

FCC 	FCC Part 15
Industry Canada (IC)	ICES-003
Safety 	Class I; Division 2

## MECHANICAL SPECIFICATIONS

Dimensions	96.5 mm (W) x 76.2 mm (H) x 35.6 mm (D)
Package Dimensions	203 mm (W) x 152 mm (H) x 63 mm (D)
Weight	Net: 0.3 kg Packaging: 0.4 kg
Mounting Hardware	DIN Rail or Direct Mount / Custom Enclosures Available

## ELECTRICAL SPECIFICATIONS

DC Power Input	30 VDC Maximum; 12 VDC Normal; 9 VDC Minimum
Average Power Input	2 Watt
Power Consumption	Idle: 100 mA; Configuration: 110 mA; Transmission: 350 mA

## GENERAL SPECIFICATIONS

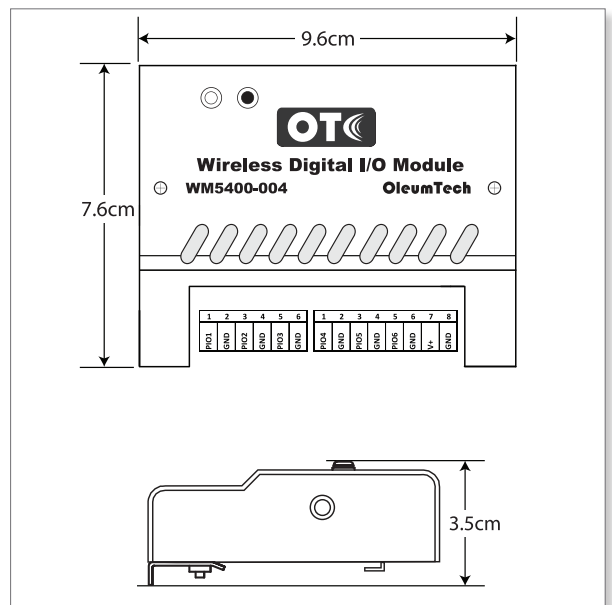
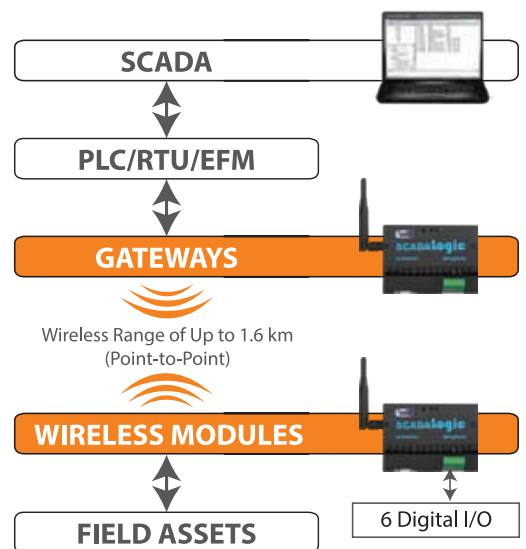
Temperature:	-40 °C to 85 °C
Humidity:	0 to 99 %, Non-Condensing
Warranty	2-Year Parts and Labor

## ORDERING INFORMATION

Model Number(s)	WM5410-004
Wirelessly Connects To	Gateways: Base Unit SR5410-DH2



## WIRELESS DIGITAL I/O MODULE BASIC NETWORKING DIAGRAM



## Automation Group

Sydney • Newcastle • Dubbo • Brisbane • Melbourne • Perth

P 1300 724 743 E sales@automationgroup.com.au W automationgroup.com.au